

**N-2 NOMENCLATURE OF HEAT EXCHANGER COMPONENTS**

For the purpose of establishing standard terminology, Figure N-2 illustrates various types of heat exchangers. Typical parts and connections, for illustrative purposes only, are numbered for identification in Table N-2.

**TABLE N-2**

- |                                             |                                          |
|---------------------------------------------|------------------------------------------|
| 1. Stationary Head-Channel                  | 21. Floating Head Cover-External         |
| 2. Stationary Head-Bonnet                   | 22. Floating Tubesheet Skirt             |
| 3. Stationary Head Flange-Channel or Bonnet | 23. Packing Box                          |
| 4. Channel Cover                            | 24. Packing                              |
| 5. Stationary Head Nozzle                   | 25. Packing Gland                        |
| 6. Stationary Tubesheet                     | 26. Lantern Ring                         |
| 7. Tubes                                    | 27. Tierods and Spacers                  |
| 8. Shell                                    | 28. Transverse Baffles or Support Plates |
| 9. Shell Cover                              | 29. Impingement Plate                    |
| 10. Shell Flange-Stationary Head End        | 30. Longitudinal Baffle                  |
| 11. Shell Flange-Rear Head End              | 31. Pass Partition                       |
| 12. Shell Nozzle                            | 32. Vent Connection                      |
| 13. Shell Cover Flange                      | 33. Drain Connection                     |
| 14. Expansion Joint                         | 34. Instrument Connection                |
| 15. Floating Tubesheet                      | 35. Support Saddle                       |
| 16. Floating Head Cover                     | 36. Lifting Lug                          |
| 17. Floating Head Cover Flange              | 37. Support Bracket                      |
| 18. Floating Head Backing Device            | 38. Weir                                 |
| 19. Split Shear Ring                        | 39. Liquid Level Connection              |
| 20. Slip-on Backing Flange                  | 40. Floating Head Support                |

**FIGURE N-2**

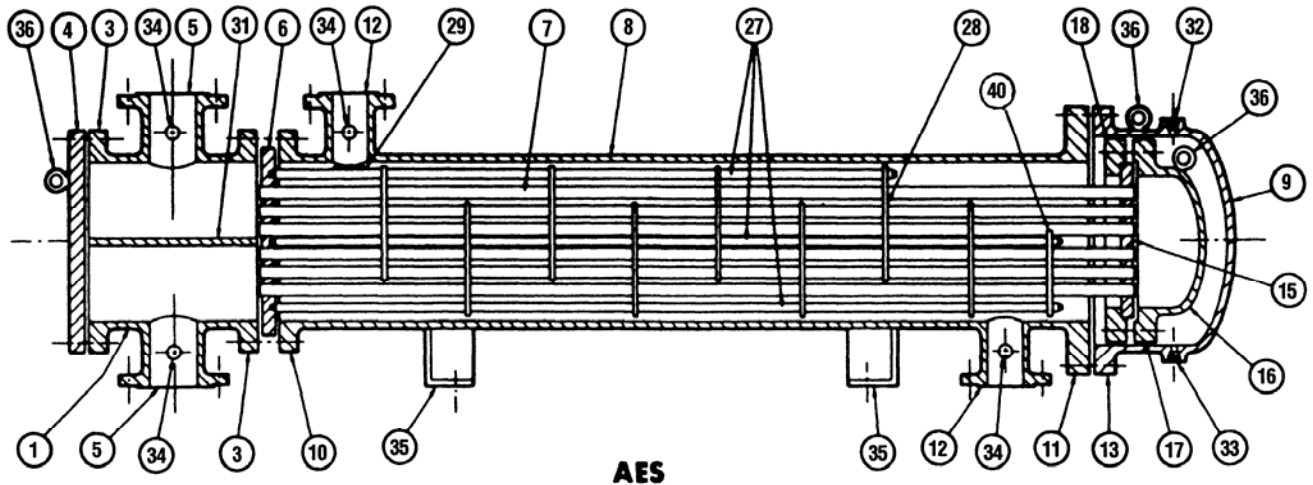
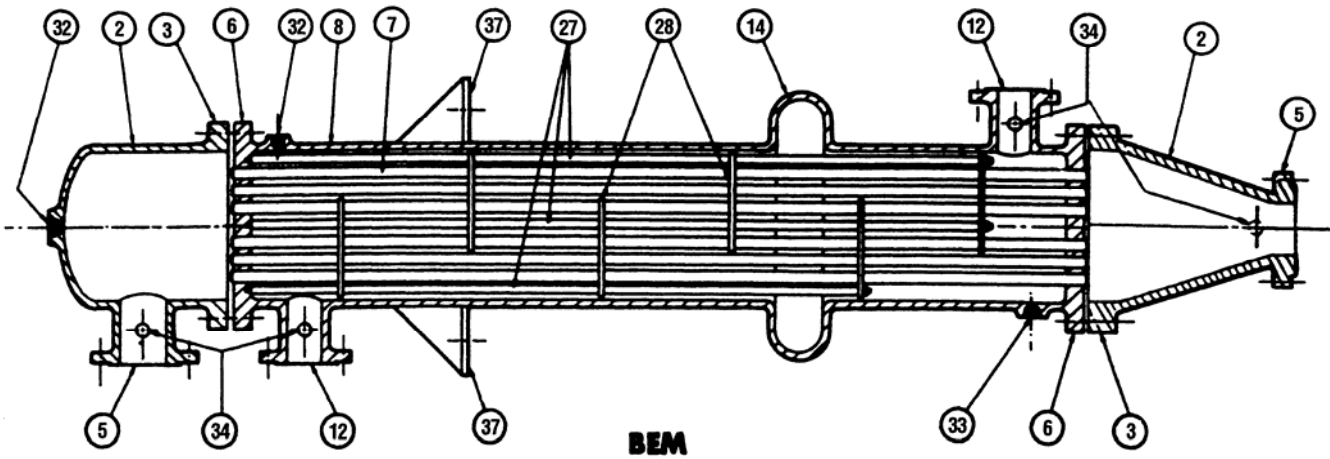
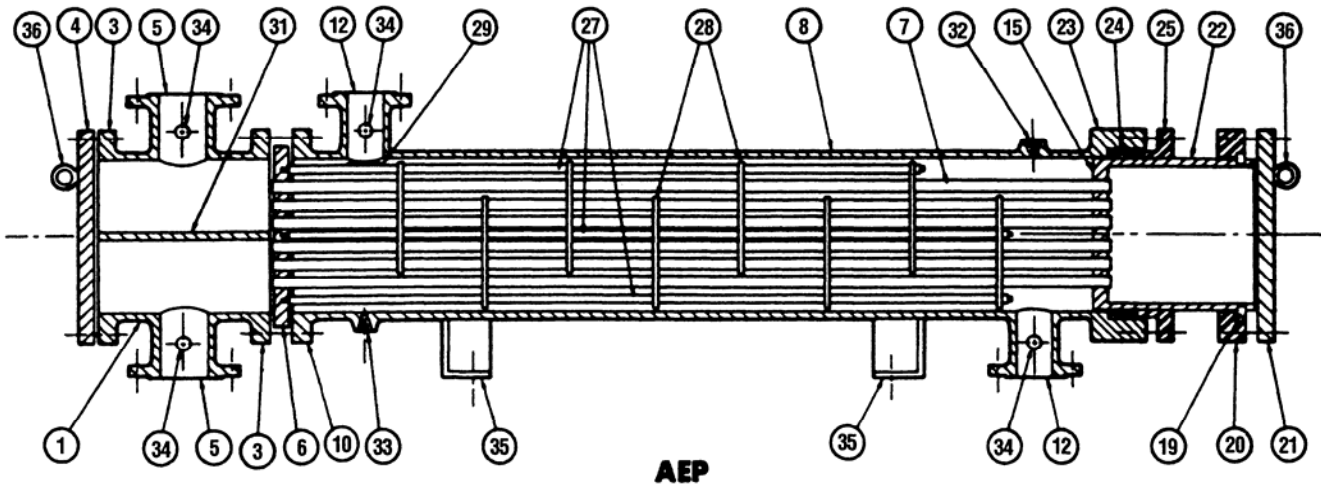


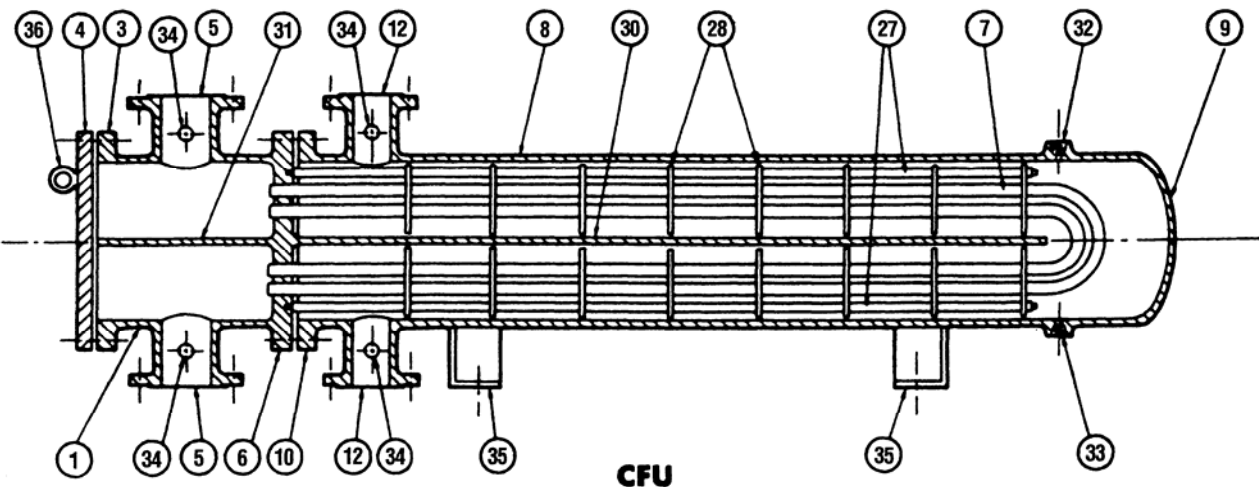
FIGURE N-2 (continued)



**BEM**

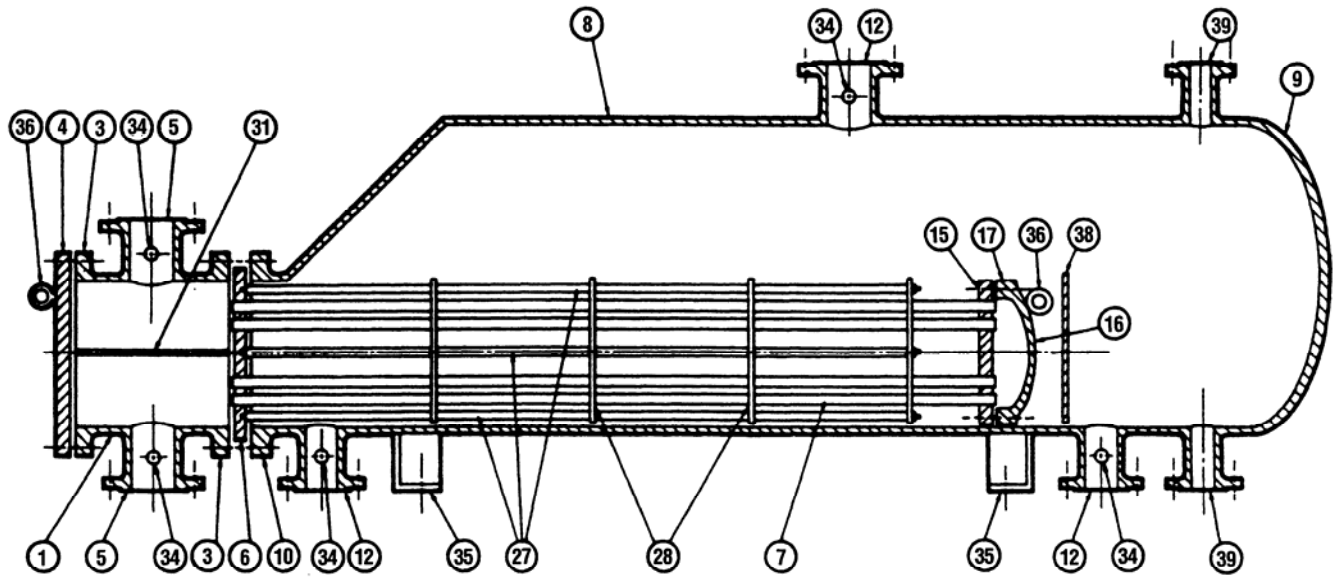


**AEP**

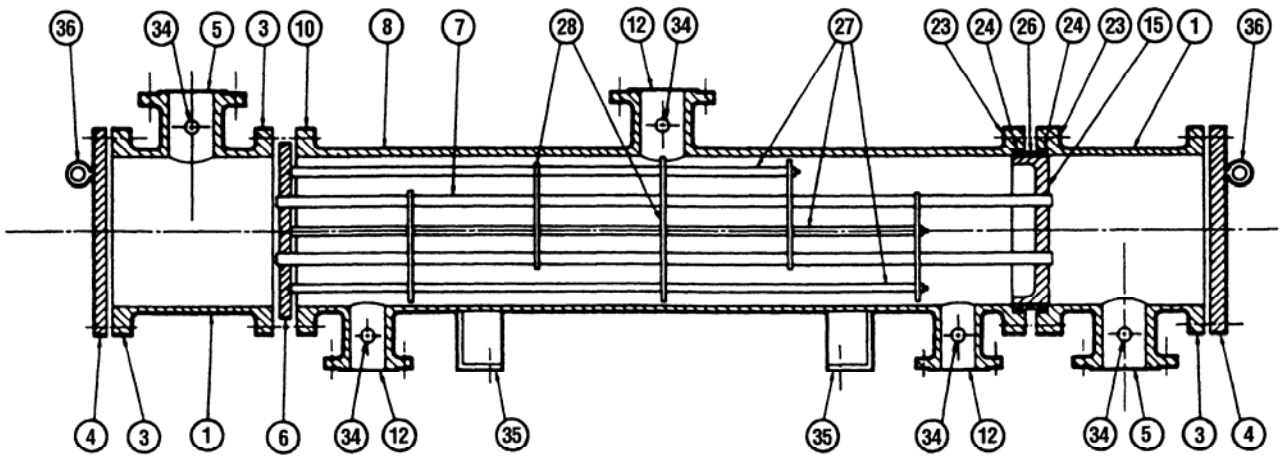


**CFU**

FIGURE N-2 (continued)



**AKT**



**AJW**